

CONTINUOUS SEALER

FRB-770 SERIES

FRB 770I



FRB 770II

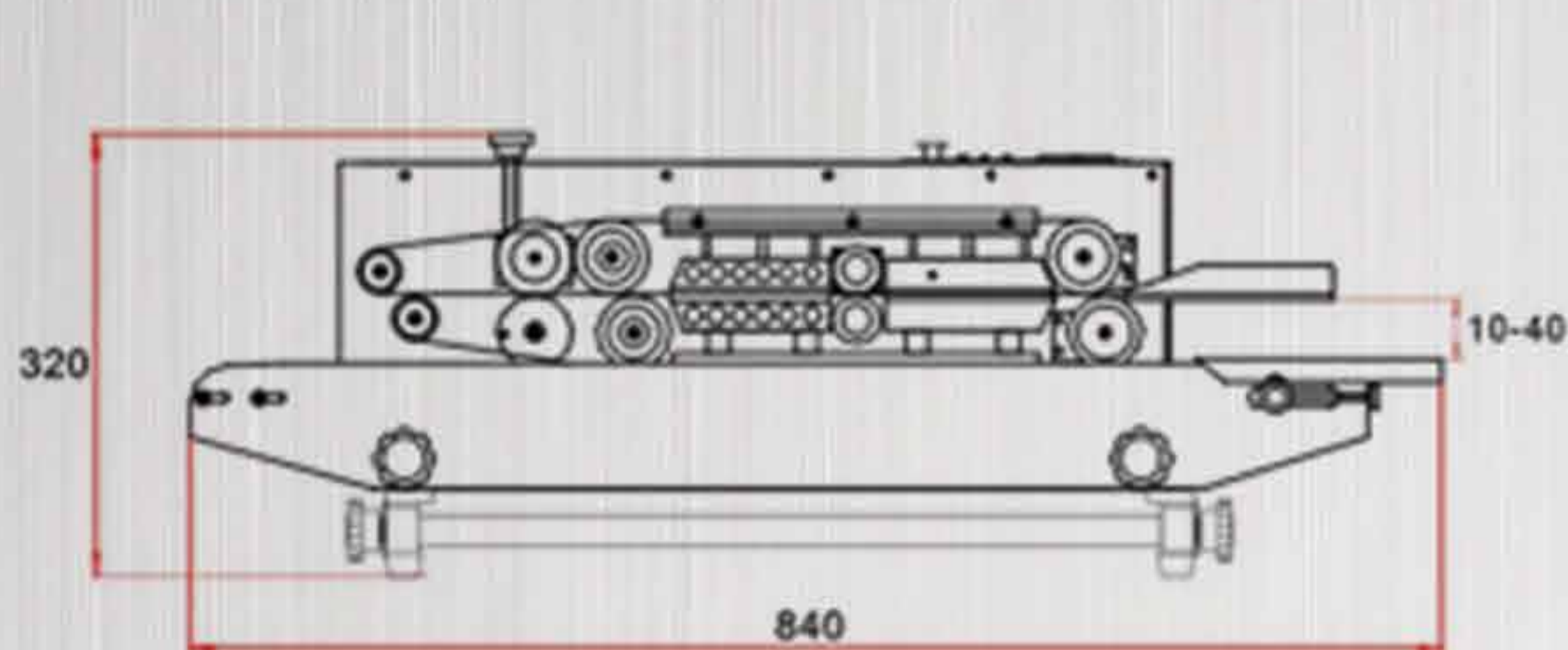


FRB 770III

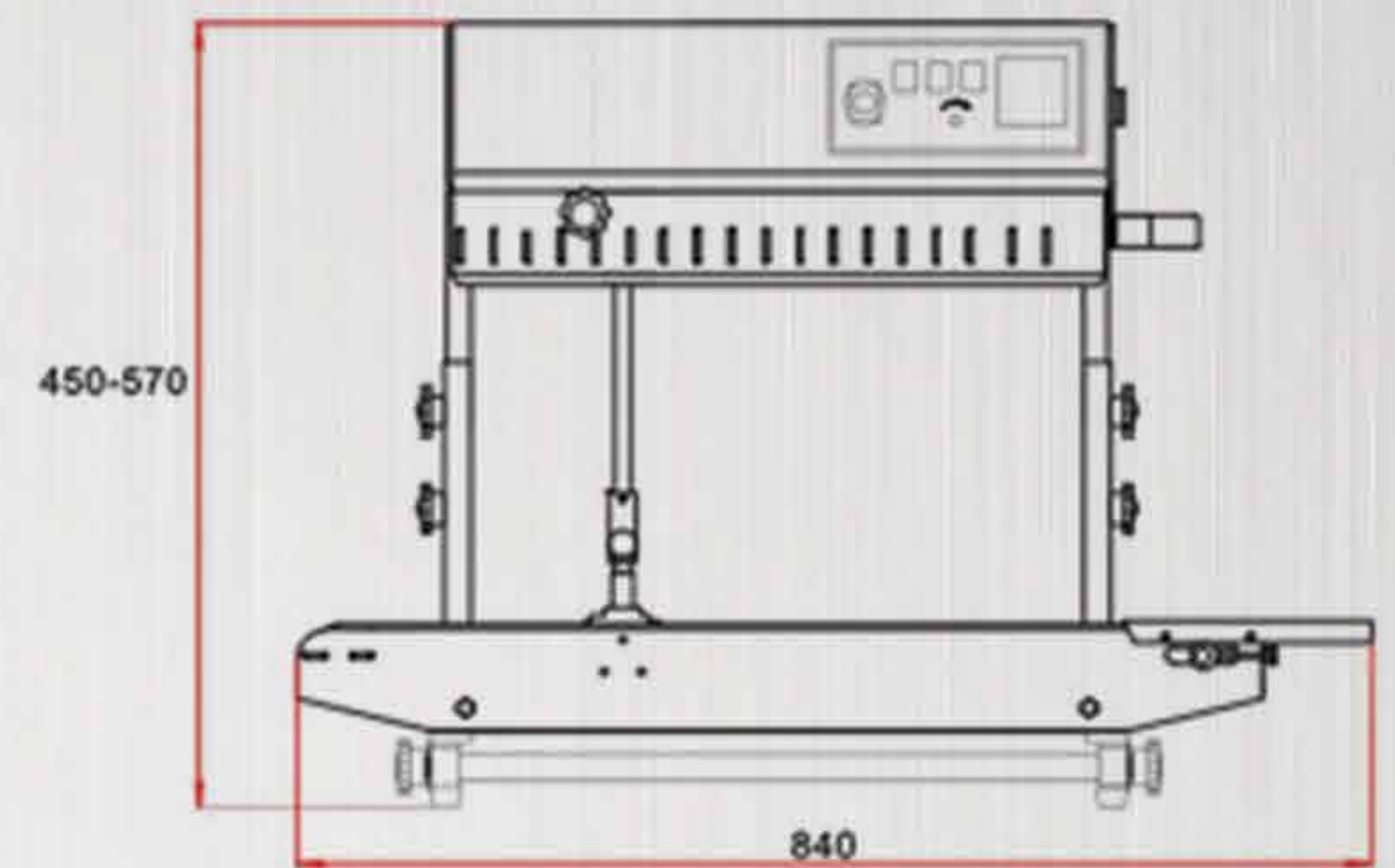
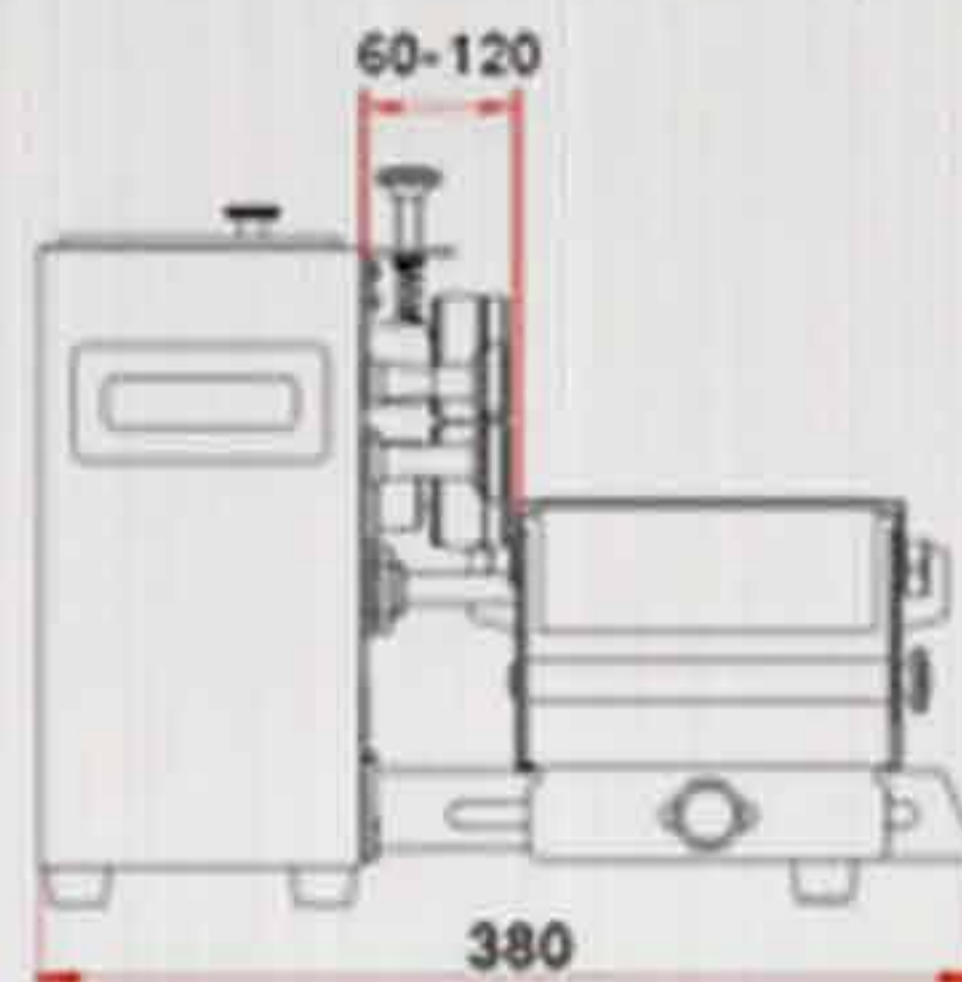


CONTINUOUS SEALER

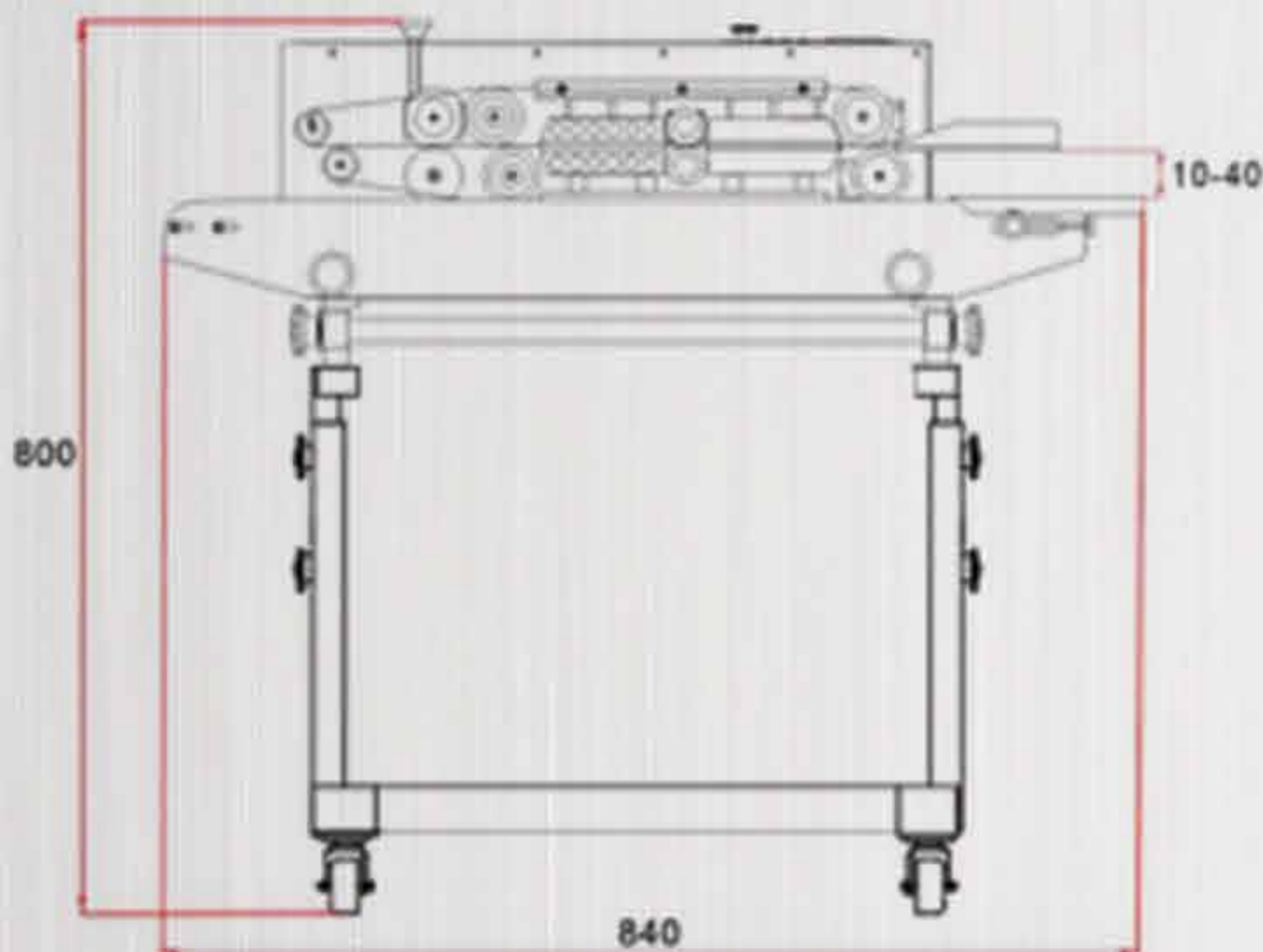
FRB-770 SERIES



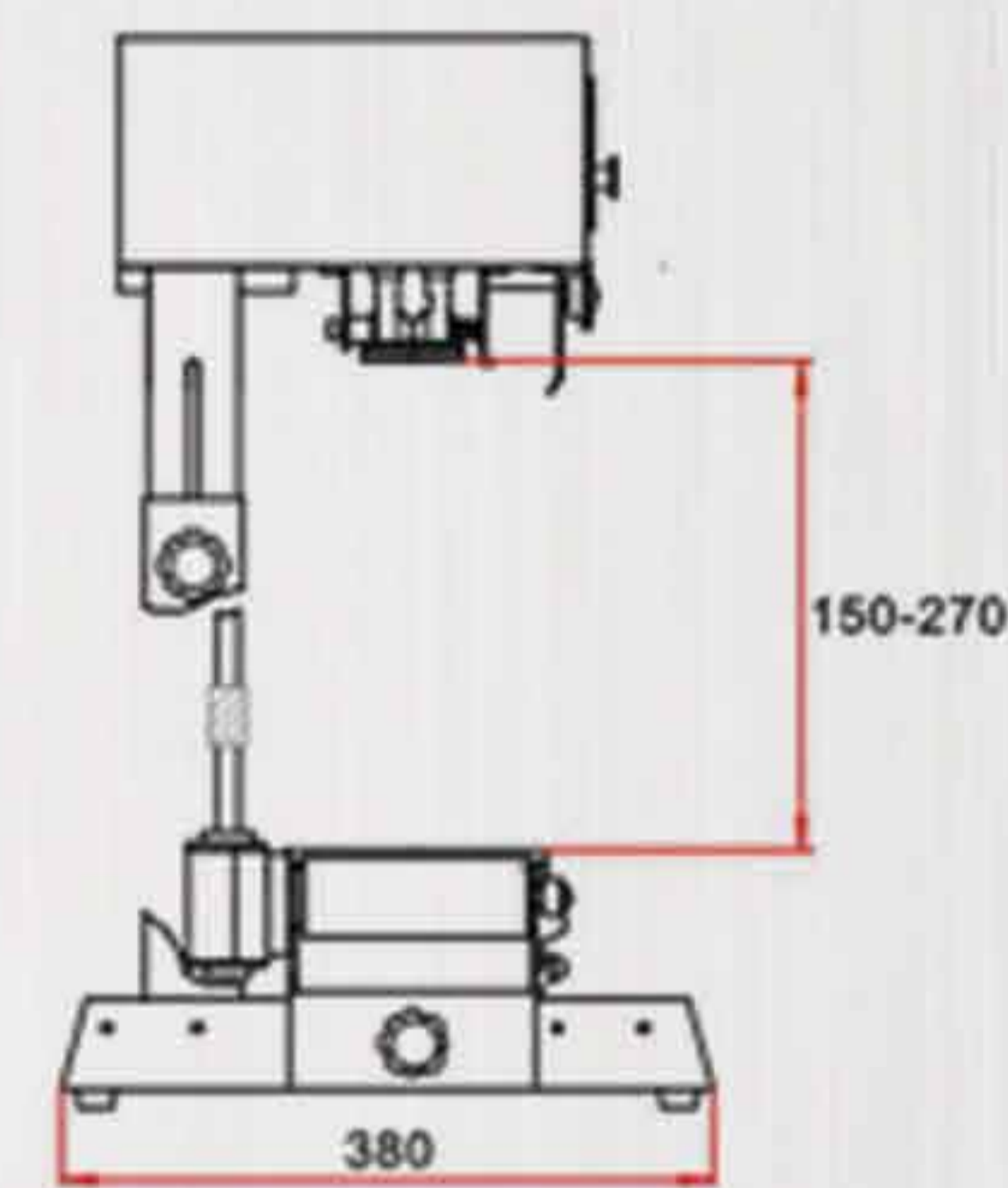
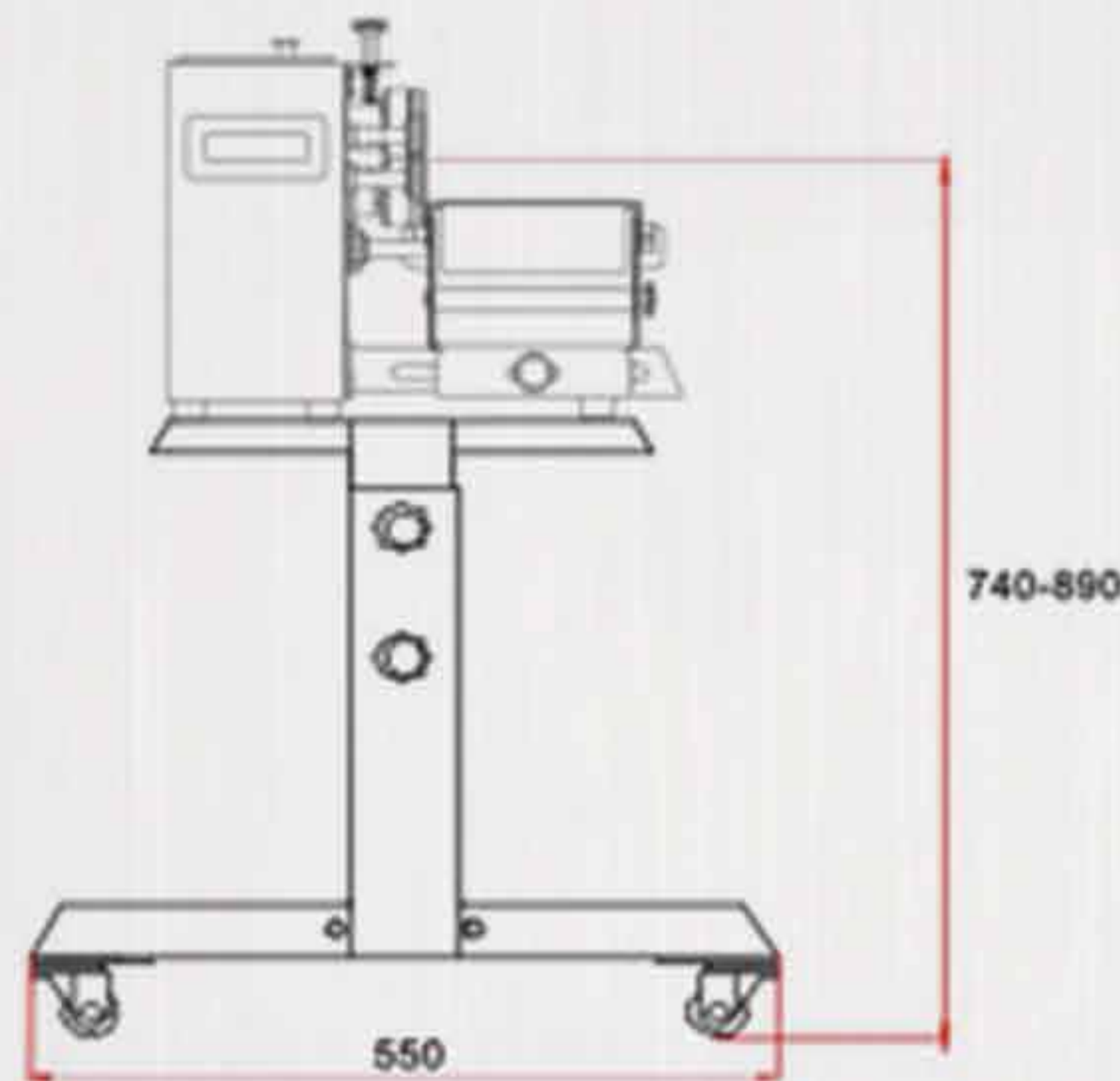
FRB 770I



FRB 770II



FRB 770III



MODEL	VOLTAGE (V/Hz)	TOTAL POWER (W)	SEALING POWER (W)	SEALING SPEED (m/min)	SEALING WIDTH (mm)	TEMPERATURE RANGE (°C)	PRINTING TYPE
FRB 770I	AC 220/50	650	300*2	0 - 16	10	0 - 300	Steel Wheel Embossing
FRB 770II	AC 220/50	650	300*2	0 - 16	10	0 - 300	Steel Wheel Embossing
FRB 770III	AC 220/50	650	300*2	0 - 16	10	0 - 300	Steel Wheel Embossing

DISTANCE FROM THE SEALING CENTER OF THE CONVEYING TABLE (mm)	CONVEYOR SIZE (mm)	SINGLE CONVEYOR LOADING (Kg)	OVERALL CONVEYOR LOADING (Kg)	EXTERNAL DIMENSION (mm)	NET WEIGHT (Kg)
10 - 40	840*153	≤1	≤3	840*380*320	32
150 - 270	840*153	≤1	≤3	840*380*550	37
10 - 40	840*153	≤1	≤3	840*550*800	40